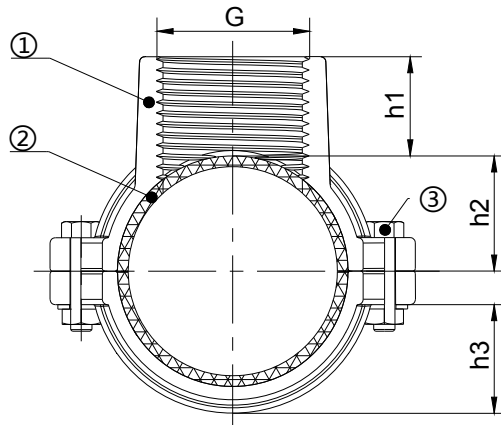


塞道

序号	部件名称	材质
1	体	球墨铸铁
2	胶垫	EPDM
3	螺栓、螺母	碳钢

备注: 工作压力 PN10、PN16



规格	G	h1	h2	h3
50x20	M40x3	22	15.5	15.5
63x20	M40x4	22	22	22
75x20	M40x5	22	28	28
90x20	M40x6	22	35.5	35.5
110x20	M40x7	22	45.5	45.5
125x20	M40x8	22	53	53
140x20	M40x9	22	60.5	60.5
160x20	M40x10	22	70.5	70.5
200x20	M40x11	22	90.5	90.5
225x20	M40x12	22	103	103
250x20	M40x13	22	115.5	115.5
315x20	M40x14	22	148	148

规格	G	h1	h2	h3
63x40	M55x3	22	22	22
75x40	M55x3	22	28	28
90x40	M55x3	22	35.5	35.5
110x40	M55x3	22	45.5	45.5
125x40	M55x3	22	53	53
140x40	M55x3	22	60.5	60.5
160x40	M55x3	22	70.5	70.5
200x40	M55x3	22	90.5	90.5
225x40	M55x3	22	103	103
250x40	M55x3	22	115.5	115.5
315x40	M55x3	22	148	148