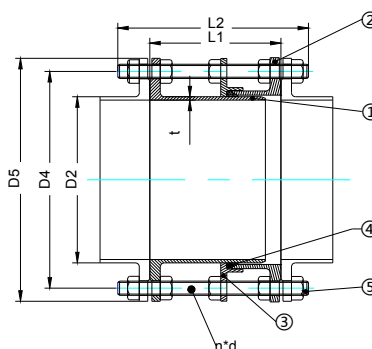


## DISMANTLING JOINT FOR DUCTILE IRON PIPES ISO2531 / BS EN545 PN25

NO.	PART NAME	MATERIAL
1	BODY 1	DUCTILE IRON
2	BODY 2	DUCTILE IRON
3	END RING	DUCTILE IRON
4	GASKET	EPDM/SBR
5	BOLT, NUT, RUBBER	GALVANISED STEEL

**NOTE:**

1. FLANGE IN ACCORDANCE WITH ISO2531/ BS EN545 PN25
2. NOMINAL PRESSURE: 25bar
3. TEST PRESSURE: 25bar



mm

DN	D2	D4	D5	L1	L2	d	N	T
80	98	160	200	210	330	19	8	7
100	118	190	235	220	340	23	8	7.2
125	144	220	270	220	370	28	8	7.5
150	170	250	300	230	370	28	8	7.8
200	222	310	360	230	370	28	12	8.4
250	274	370	425	250	410	31	12	9
300	326	430	485	250	410	31	16	9.6
350	378	490	555	270	440	34	16	10.2
400	429	550	620	280	480	37	16	10.8
450	480	600	670	280	480	37	20	11.4
500	532	660	730	300	480	37	20	12
600	635	770	845	320	520	40	20	13.2
700	738	875	960	340	530	43	24	14.4
800	842	990	1085	360	600	49	24	15.6
900	945	1090	1185	380	600	49	28	16.8
1000	1048	1210	1320	400	650	56	28	18
1100	1152	1310	1420	420	672	56	32	19.2
1200	1255	1420	1530	450	720	56	32	20.4
1400	1462	1640	1755	480	770	62	36	22.8
1600	1668	1860	1975	510	815	62	40	25.2
1800	1875	2070	2195	540	865	70	44	27.6
2000	2082	2300	2425	580	930	70	48	30