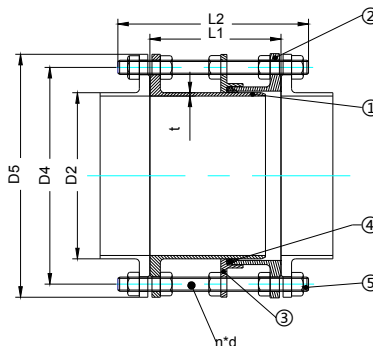


## DISMANTLING JOINT FOR DUCTILE IRON PIPES ISO2531 / BS EN545 PN10

NO.	PART NAME	MATERIAL
1	BODY 1	DUCTILE IRON
2	BODY 2	DUCTILE IRON
3	END RING	DUCTILE IRON
4	GASKET	EPDM/SBR
5	BOLT, NUT, RUBBER	GALVANISED STEEL

**NOTE:**

1. FLANGE IN ACCORDANCE WITH ISO2531/ BS EN545 PN10
2. NOMINAL PRESSURE: 10bar
3. TEST PRESSURE: 15bar



mm

DN	D2	D4	D5	L1	L2	d	N	T
80	98	160	200	200	310	16	8	7
100	118	180	220	200	310	16	8	7.2
125	144	210	250	200	310	16	8	7.5
150	170	240	285	200	320	20	8	7.8
200	222	295	340	220	340	20	8	8.4
250	274	350	400	230	370	20	12	9
300	326	400	455	250	410	20	12	9.6
350	378	460	505	260	410	20	16	10.2
400	429	515	565	270	430	24	16	10.8
450	480	565	615	270	430	24	16	11.4
500	532	620	670	280	440	24	20	12
600	635	725	780	300	480	27	20	13.2
700	738	840	895	300	480	27	24	14.4
800	842	950	1015	320	520	30	24	15.6
900	945	1050	1115	320	520	30	28	16.8
1000	1048	1160	1230	340	560	33	28	18
1100	1152	1270	1340	340	560	33	32	19.2
1200	1255	1380	1455	360	600	36	32	20.4
1400	1462	1590	1675	380	630	39	36	22.8
1500	1565	1700	1785	400	665	39	36	23
1600	1668	1820	1915	400	700	45	40	25.2
1800	1875	2020	2115	420	730	45	44	27.6
2000	2082	2230	2325	440	730	45	48	30
2200	2288	2440	2550	450	750	52	52	32.4
2400	2495	2650	2760	460	770	52	56	34.8
2600	2702	2850	2960	500	800	52	60	37.2