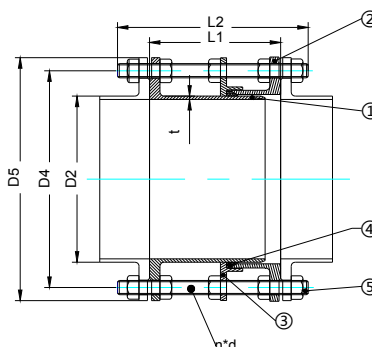


DISMANTLING JOINT FOR DUCTILE IRON PIPES ISO2531 / BS EN545 PN40

NO.	PART NAME	MATERIAL
1	BODY 1	DUCTILE IRON
2	BODY 2	DUCTILE IRON
3	END RING	DUCTILE IRON
4	GASKET	EPDM/SBR
5	BOLT, NUT, RUBBER	GALVANISED STEEL



NOTE:

1. FLANGE IN ACCORDANCE WITH ISO2531/ BS EN545 PN40
2. NOMINAL PRESSURE: 40bar
3. TEST PRESSURE: 40bar

mm

DN	D2	D4	D5	L1	L2	d	N	T
80	98	160	200	230	380	19	8	7
100	118	190	235	240	390	23	8	7.2
125	144	220	270	240	390	28	8	7.5
150	170	250	300	250	400	28	8	7.8
200	222	320	375	250	400	31	12	8.4
250	274	385	450	270	440	34	12	9
300	326	450	515	270	440	34	16	9.6
350	378	510	580	290	460	37	16	10.2
400	429	585	660	300	500	40	16	10.8
450	480	610	685	300	500	40	20	11.4
500	532	670	755	320	510	43	20	12
600	635	795	890	340	550	49	20	13.2
700	738	900	995	360	570	49	24	14.4
800	842	1030	1140	380	620	56	24	15.6
900	945	1140	1250	380	620	56	28	16.8
1000	1048	1250	1360	420	670	56	28	18
1200	1255	1460	1575	450	720	62	32	20.4
1400	1462	1680	1795	480	770	62	36	22.8
1600	1668	1900	2025	510	815	70	40	25.2
1800	1875	2130	2255	540	865	70	44	27.6
2000	2082	2360	2485	580	930	78	44	30