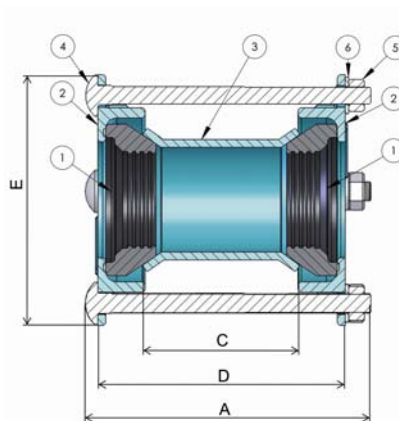


UNIVERSAL COUPLING

NO.	PART NAME	MATERIAL
1	Gasket	EPDM/SBR
2	End ring	DUCTILE IRON
3	Sleeve	DUCTILE IRON/Carbon Steel
4	Bolt	Carbon Steel
5	Nut	Carbon Steel
6	Washer	Carbon Steel



NOTE: WORKING PRESSURE PN10、PN16



mm

Size	Range	A	C	D	E	BOLT NO.
40	40 - 52	190	100	160	140	4
50	59 - 78	170	100	160	173	4
80	83 - 102	190	100	160	197	4
100Midi	108 - 118	170	100	160	223	4
100	109 - 128	190	100	160	207	4
125	135 - 153	190	100	166	257	4
150	159 - 182	190	100	166	286	4
150Midi	159 - 170	190	100	172	266	4
150/3	180 - 193	210	120	172	293	4
175	190 - 205	210	120	172	304.2	4
200	218 - 234	210	120	172	334.5	4
225	239 - 250	210	120	172	350.5	6
225/2	250 - 267	210	120	172	368.5	6
250	273 - 286	210	120	172	386.5	6
250/2	286 - 304	210	120	172	405.5	6
300	315 - 328	210	120	172	429.5	6