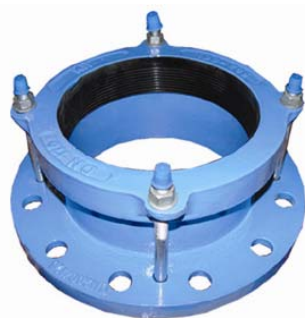
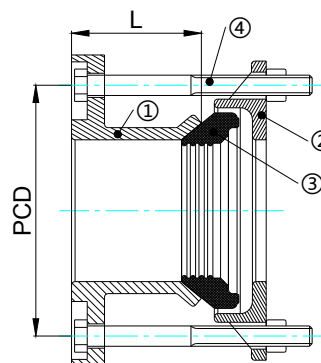


UNIVERSAL FLANGE ADAPTOR

NO.	PART NAME	MATERIAL
1	Sleeve	DUCTILE IRON
2	End ring	DUCTILE IRON
3	Gasket	EPDM / SBR
4	Bolt, Nut	Carbon Steel

NOTE: WORKING PRESSURE PN10、PN16



mm

Nominal Diameter(DN)	PIPE O.D.	PCD	Flange		End ring
			Holes with end ring	Holes	Holes
50/50	59-78	125	4-φ14	8-φ19	4-φ14
80/80	83-102	160	4-φ14	8-φ19	4-φ14
100/100	109-128	178.5	4-φ14	8-φ19	4-φ14
125/125	135-153	210	4-φ14	8-φ19	4-φ14
150/150	159-182	237.5	4-φ14	12-φ23	4-φ14
175/200	190-205	295	6-φ14	12-φ23	6-φ14
200/200	218-234	295	6-φ14	12-φ23	6-φ14
225/250	239-250	355	6-φ14	12-φ23	6-φ14
250/250	273-286	355	6-φ14	12-φ28	6-φ14
225/2 /250	250-267	355	6-φ14	12-φ23	6-φ14
300/300	315-328	410	6-φ14	12-φ28	6-φ14