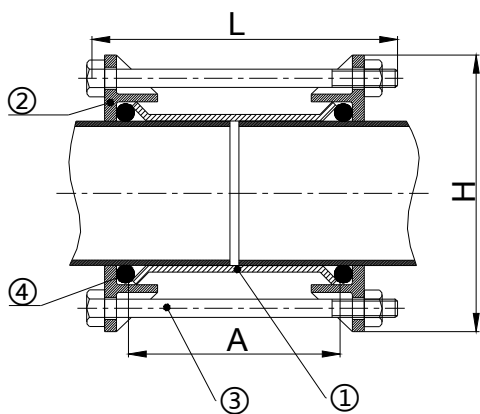


GIBAULT JOINT

NO.	PART NAME	MATERIAL
1	Sleeve	Ductile Iron
2	End ring	Ductile Iron
3	O-Ring Gasket	EPDM/SBR
4	Bolt, Nut	Steel with Galvanize

NOTE: WORKING PRESSURE PN10、PN16



SIZE	BOLT		A	H
	L	Q'TY		
63	180	2	147	130
75	180	2	147	130
90	180	3	165	130
110	210	3	185	150
125	210	4	200	150
140	210	4	215	150
160	240	4	236	150
180	240	6	255	190
200	260	6	276	190
225	290	6	285	190
250	290	6	340	200
315	290	6	352	200