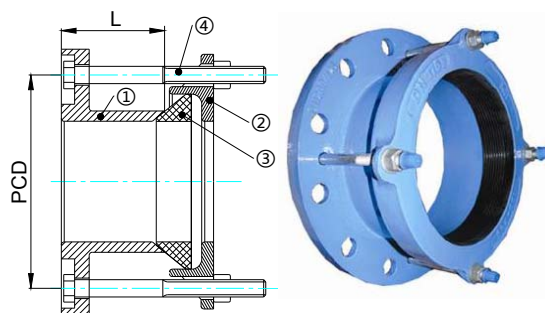


SINGLE RANGE FLANGE ADAPTOR FOR STEEL PIPES

NO.	PART NAME	MATERIAL
1	Sleeve	DUCTILE IRON
2	End ring	DUCTILE IRON
3	Gasket	EPDM / SBR
4	Bolt, Nut	Carbon Steel

NOTE: WORKING PRESSURE PN10、PN16



DN mm	PN Kgf/cm ²	PIPE OD	A mm	B mm	C mm	D mm	PCD mm	HOLES	BOLTS	
									Q'TY	M x L
50	10/16	60.5	19	73	105	165	125	4x19	4	M12x100
65	10/16	76.3	19	73	105	185	145	4x19	4	M12x100
80	10/16	89.1	19	73	105	200	160	8x19	4	M12x100
100	10/16	114.3	19	73	105	220	180	8x19	4	M12x100
125	10/16	139.8	19	76	115	250	210	8x19	4	M12x110
150	10/16	168.3	19	76	115	285	240	8x23	4	M12x110
200	10	219.1	20	76	115	340	295	8x23	4	M12x110
200	16	219.1	20	76	115	340	295	12x23	6	M12x110
250	10	273.1	22	90	130	400	350	12x23	6	M12x120
250	16	273.1	24	90	130	400	355	12x28	6	M12x120
300	10	323.9	24	90	130	455	400	12x23	6	M12x120
300	16	323.9	24	90	130	455	410	12x28	6	M12x120
350	10	355.6	24	110	156	505	460	16x23	8	M16x150
350	16	355.6	26	110	156	520	470	16x28	8	M16x150
400	10	406.4	24	110	156	565	515	16x28	8	M16x150
400	16	406.4	28	110	156	580	525	16x31	8	M16x150
450	10	457.2	25	110	156	615	565	20x28	10	M16x150
450	16	457.2	30	110	156	640	585	20x31	10	M16x150
500	10	508	26	115	162	670	620	20x28	10	M16x150
500	16	508	31	115	162	718	650	20x34	10	M16x150
600	10	609.6	30	115	165	780	725	20x31	10	M16x150
600	16	609.6	36	115	165	840	770	20x37	10	M16x150
700	10	711.2	32	115	165	895	840	24x31	12	M16x150
700	16	711.2	39	115	165	910	840	24x37	12	M16x150
800	10	812.8	35	115	165	1015	950	24x34	12	M16x150
800	16	812.8	43	115	165	1025	950	24x40	12	M16x150
900	10	914.4	37	115	165	1115	1050	28x34	14	M16x150
900	16	914.4	46	115	165	1125	1050	28x40	14	M16x150
1000	10	1016	40	115	165	1230	1160	28x37	14	M16x150
1000	16	1016	50	115	165	1255	1170	28x43	14	M16x150
1200	10	1219.2	45	130	180	1455	1380	32x40	16	M16x170
1200	16	1219.2	57	130	180	1485	1390	32x49	16	M16x170