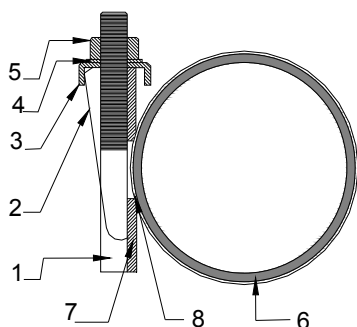


## JKRC TYPE STAINLESS STEEL REPAIR CLAMP



### Materials Composition

| NO. | Components    | Material    |
|-----|---------------|-------------|
| 1   | Screw         | SS304/316   |
| 2   | Lug Plate     | SS304/316   |
| 3   | Counter Plate | SS304/316   |
| 4   | Washer        | SS304/316   |
| 5   | Nut           | SS304/A2-70 |
| 6   | Gasket        | EPDM/SBR    |
| 7   | Welding Plate | SS304/316   |
| 8   | Band          | SS304/316   |



### Quantities of Bolts

| Width of JKRC Type Repair Clamp (mm) |                     |           |                 |
|--------------------------------------|---------------------|-----------|-----------------|
| Width                                | Quantities of Bolts | Bolt Size | Length of Bolts |
| 150                                  | 2                   | M16       | 165             |
| 200                                  | 2                   | M16       | 165             |
| 300                                  | 3                   | M16       | 165             |
| 400                                  | 4                   | M16       | 165             |



**Product Details**

| Size | Number    | OD Range | Width |       |       |       | Working Pressure (kpa) |
|------|-----------|----------|-------|-------|-------|-------|------------------------|
|      |           |          | 150mm | 200mm | 300mm | 400mm |                        |
| 65   | JKRC-0062 | 59-67    | ★     | ★     | ★     | ★     | 1600                   |
| 65   | JKRC-0074 | 65-73    | ★     | ★     | ★     | ★     | 1600                   |
| 80   | JKRC-0090 | 86-94    | ★     | ★     | ★     | ★     | 1600                   |
| 80   | JKRC-0095 | 88-98    | ★     | ★     | ★     | ★     | 1600                   |
| 80   | JKRC-0097 | 94-102   | ★     | ★     | ★     | ★     | 1600                   |
| 100  | JKRC-0112 | 108-118  | ★     | ★     | ★     | ★     | 1600                   |
| 125  | JKRC-0117 | 110-120  | ★     | ★     | ★     | ★     | 1600                   |
| 125  | JKRC-0124 | 121-131  | ★     | ★     | ★     | ★     | 1600                   |
| 125  | JKRC-0130 | 126-136  | ★     | ★     | ★     | ★     | 1600                   |
| 125  | JKRC-0140 | 132-142  | ★     | ★     | ★     | ★     | 1600                   |
| 125  | JKRC-0150 | 145-155  | ★     | ★     | ★     | ★     | 1600                   |
| 150  | JKRC-0155 | 151-161  | ★     | ★     | ★     | ★     | 1600                   |
| 150  | JKRC-0163 | 159-170  | ★     | ★     | ★     | ★     | 1600                   |
| 150  | JKRC-0171 | 166-177  | ★     | ★     | ★     | ★     | 1600                   |
| 150  | JKRC-0178 | 170-180  | ★     | ★     | ★     | ★     | 1600                   |
| 150  | JKRC-0180 | 174-184  | ★     | ★     | ★     | ★     | 1600                   |
| 150  | JKRC-0186 | 179-189  | ★     | ★     | ★     | ★     | 1600                   |
| 200  | JKRC-0200 | 193-203  | ★     | ★     | ★     | ★     | 1000                   |
| 200  | JKRC-0210 | 202-212  | ★     | ★     | ★     | ★     | 1000                   |
| 200  | JKRC-0223 | 219-229  | ★     | ★     | ★     | ★     | 1000                   |
| 200  | JKRC-0230 | 222-233  |       | ★     | ★     | ★     | 1000                   |
| 200  | JKRC-0233 | 229-239  |       | ★     | ★     | ★     | 1000                   |
| 200  | JKRC-0243 | 236-246  |       | ★     | ★     | ★     | 1000                   |
| 250  | JKRC-0252 | 243-253  |       | ★     | ★     | ★     | 1000                   |
| 250  | JKRC-0255 | 250-260  |       | ★     | ★     | ★     | 1000                   |
| 250  | JKRC-0260 | 252-263  |       | ★     | ★     | ★     | 1000                   |
| 250  | JKRC-0263 | 261-271  |       | ★     | ★     | ★     | 1000                   |
| 250  | JKRC-0276 | 270-280  |       | ★     | ★     | ★     | 1000                   |
| 250  | JKRC-0287 | 280-291  |       | ★     | ★     | ★     | 1000                   |
| 250  | JKRC-0290 | 288-298  |       | ★     | ★     | ★     | 1000                   |
| 250  | JKRC-0299 | 298-309  |       | ★     | ★     | ★     | 1000                   |
| 250  | JKRC-0308 | 300-310  |       | ★     | ★     | ★     | 1000                   |
| 300  | JKRC-0316 | 304-314  |       | ★     | ★     | ★     | 1000                   |
| 300  | JKRC-0325 | 315-335  |       | ★     | ★     | ★     | 1000                   |
| 300  | JKRC-0332 | 333-343  |       | ★     | ★     | ★     | 1000                   |
| 300  | JKRC-0347 | 340-351  |       | ★     | ★     | ★     | 1000                   |
| 350  | JKRC-0350 | 348-358  |       | ★     | ★     | ★     | 1000                   |
| 350  | JKRC-0358 | 356-366  |       | ★     | ★     | ★     | 1000                   |

**Remark: Items marked ★ are available**