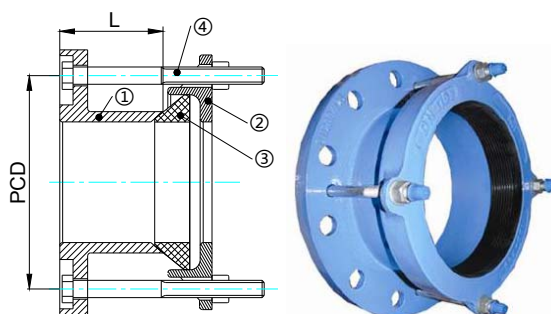


**SINGLE RANGE FLANGE ADAPTOR FOR DUCTILE IRON PIPES**  
**ISO2531,BS EN545, ISO7005-2, BS 4504, BS 4627**

NO.	PART NAME	MATERIAL
1	Sleeve	DUCTILE IRON
2	End ring	DUCTILE IRON
3	Gasket	EPDM / SBR
4	Bolt, Nut	Carbon Steel

NOTE: WORKING PRESSURE PN10、PN16



DN mm	PN Kgf/cm <sup>2</sup>	PIPE OD	A mm	B mm	C mm	D mm	PCD mm	HOLES	BOLTS	
									Q'TY	M x L
40	10/16	56	19	73	105	150	110	4x19	4	M 12x100
50	10/16	66	19	73	105	165	125	4x19	4	M 12x100
60	10/16	77	19	73	105	175	135	4x19	4	M 12x100
65	10/16	82	19	73	105	185	145	4x19	4	M 12x100
80	10/16	98	19	73	105	200	160	8x19	4	M 12x100
100	10/16	118	19	73	105	220	180	8x19	4	M 12x100
125	10/16	144	19	76	115	250	210	8x19	4	M 12x100
150	10/16	170	19	76	115	285	240	8x23	4	M 12x110
200	16	222	20	76	115	340	295	8x23	4	M 12x110
250	16	274	22	90	130	400	350	12x23	6	M 12x120
300	16	326	24.5	90	130	455	400	12x23	6	M 12x120
350	16	378	24.5	110	156	505	460	16x23	8	M 16x145
400	16	429	24.5	110	156	565	515	16x28	8	M 16x145
450	16	480	24.5	110	156	615	565	20x28	10	M 16x145
500	16	532	26.5	115	162	670	620	20x28	10	M 16x150
600	16	635	30	115	165	780	725	20x31	10	M 16x150
700	16	738	32.5	115	165	895	740	24x31	12	M 16x150
800	16	842	35	115	165	1015	950	24x34	12	M 16x150
900	16	942	37.5	115	165	1115	1050	28x34	14	M 16x150
1000	16	1048	40	115	165	1230	1160	28x37	14	M 16x150
1200	16	1255	45	130	180	1455	1380	32x40	16	M 16x170
1400	16	1462	46	130	180	1675	1590	36x43	18	M 20x170
1600	16	1668	49	190	275	1915	1820	40x49	20	M 20x240
1800	16	1875	52	190	275	2115	2020	44x49	22	M 20x240
2000	16	2082	55	190	275	2325	2230	48x49	24	M 20x240
2200	16	2288	59	210	315	2550	2440	52x56	26	M 20x265